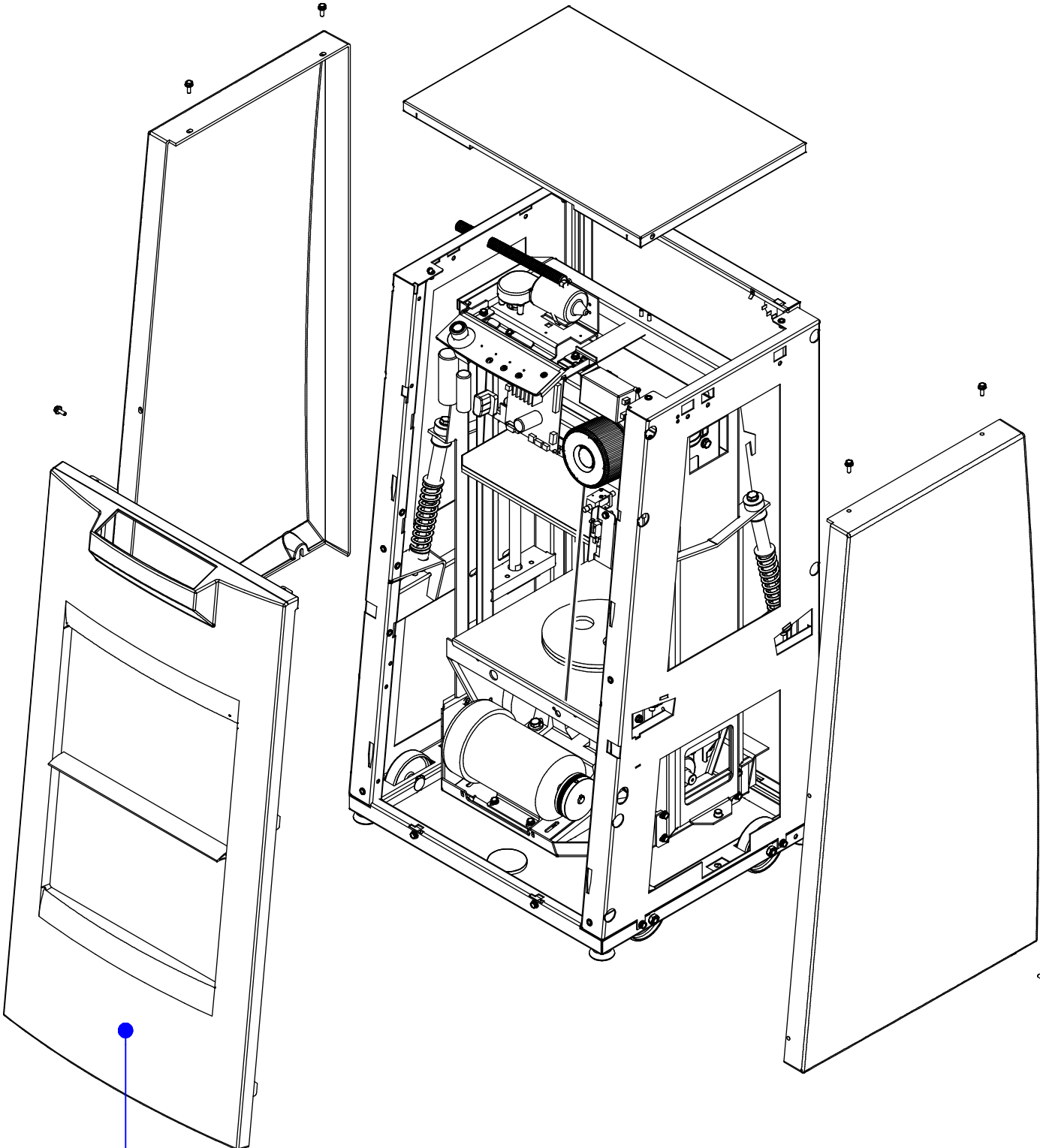




SK350

Sparepartsbook

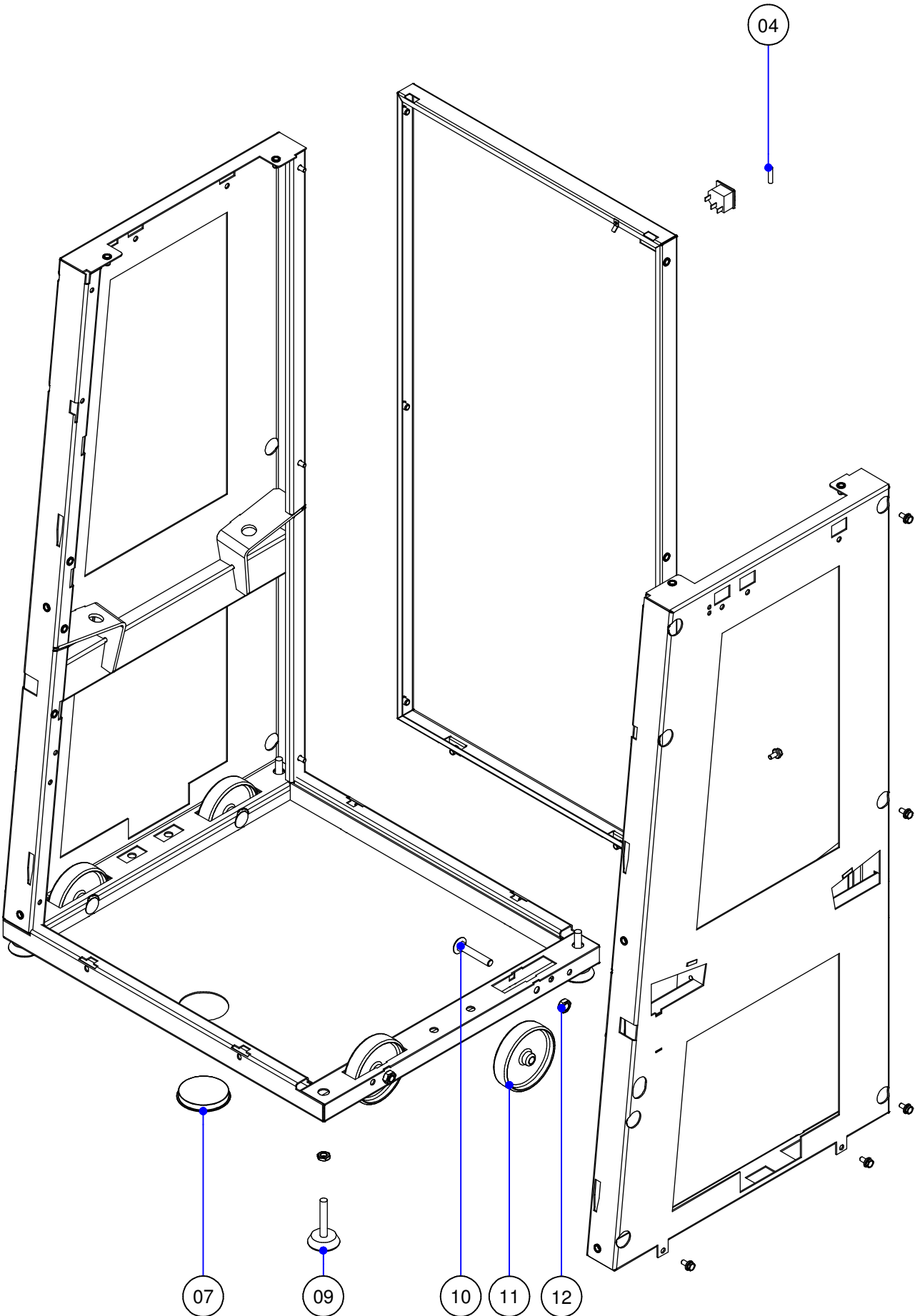
Revisie 07-2011



01

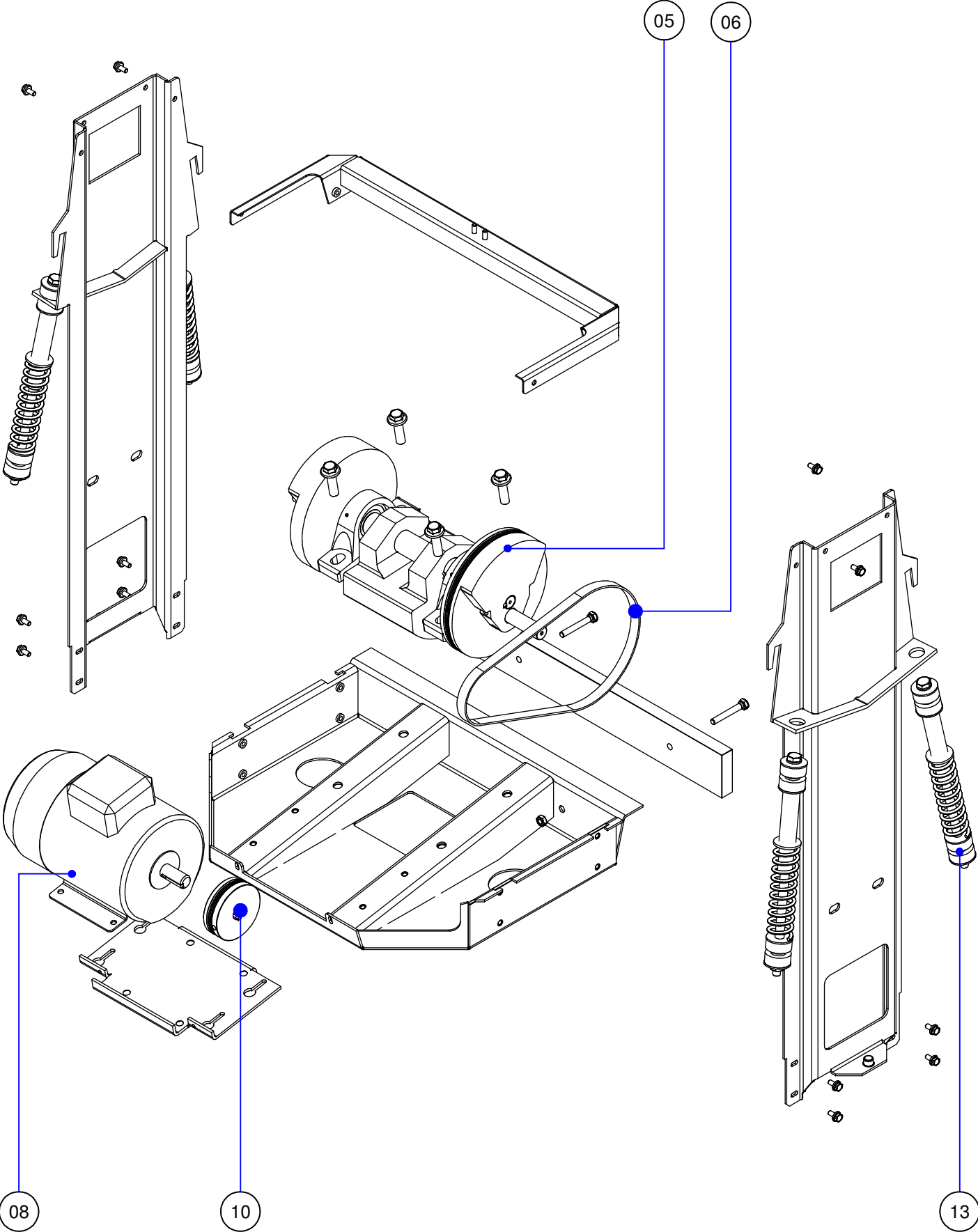
Spare Parts List

ITEM	PARTNUMBE	DESCRIPTION	REMARKS	QTY
01	1862496-SP	S0/SK,door,assy>manual		1



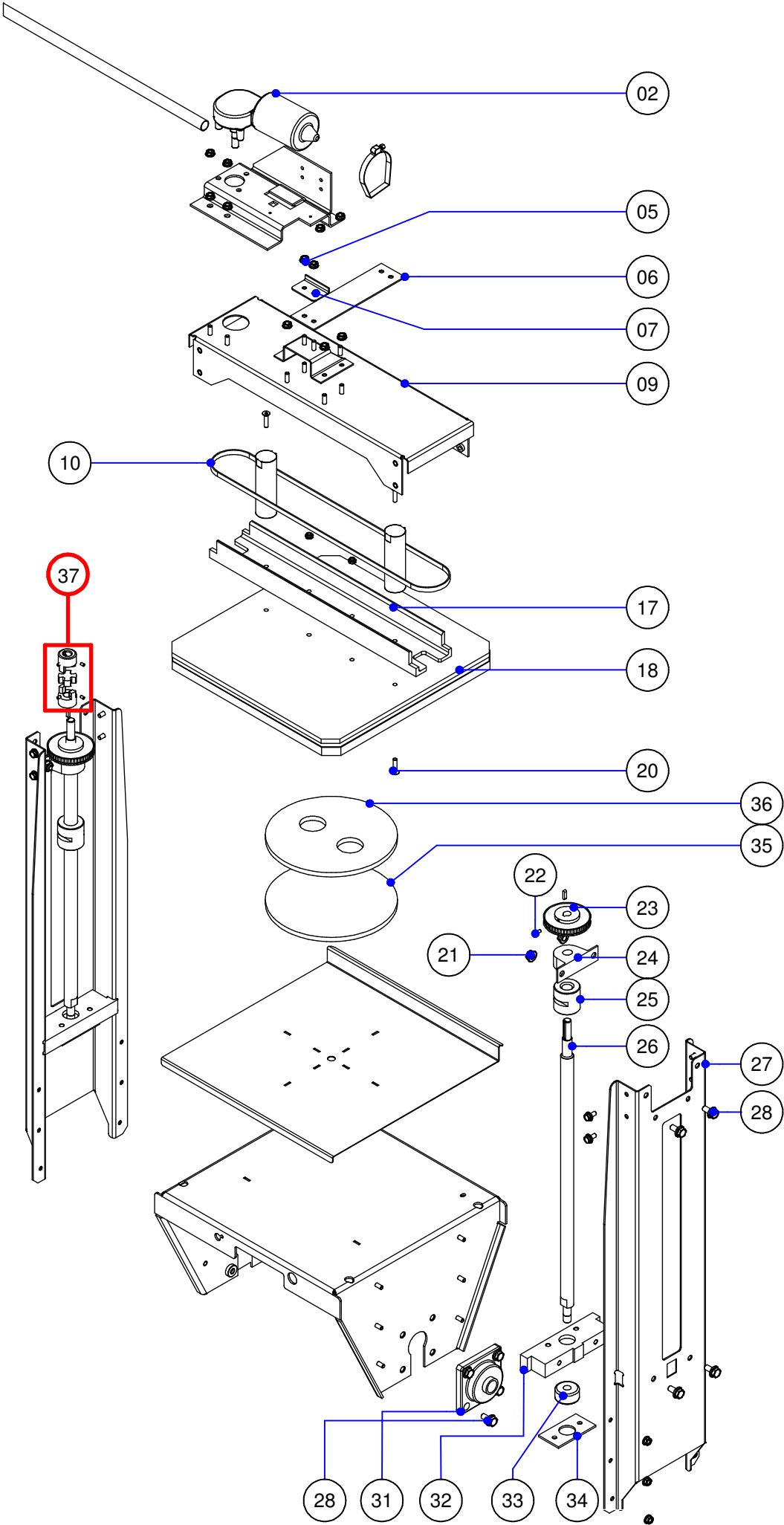
Spare Parts List

ITEM	PART NUMBER	DESCRIPTION	REMARKS	QTY
04	1602782-SP	Fuse,10A,set,10pcs		10
07	1110430-SP	Cap,white,f70mm,10pcs.		10
09	1862594-sp	Foot,plastic,M10x60(set 4 pcs)		4
11	1860277-sp	Wheel,nylon+bolt's&nut's,4pcs	pos. 10,11,12	4

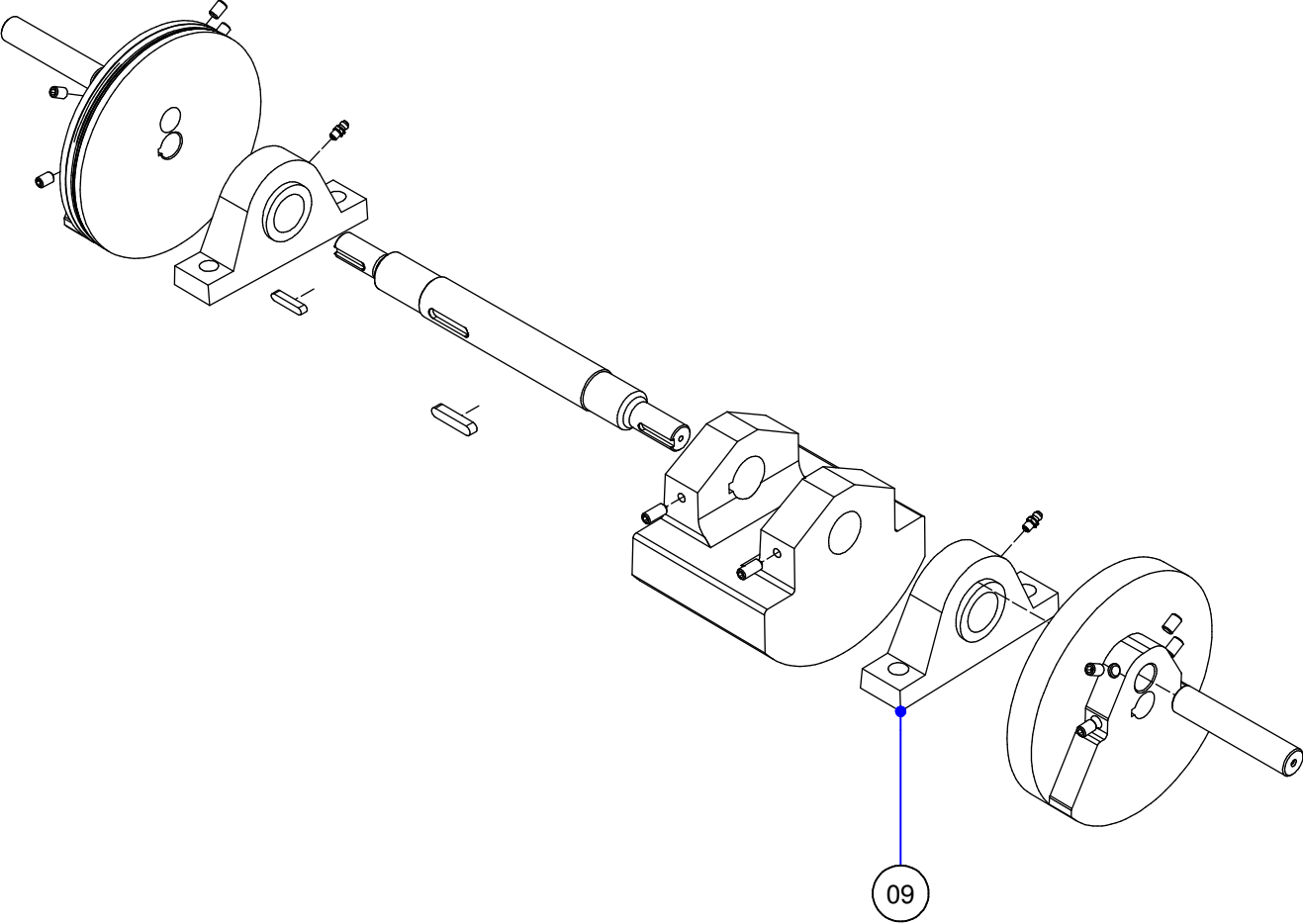


Spare Parts List

ITEM	PARTNUMBER	DESCRIPTION	REMARKS	QTY
05	1809465-SP	Crank,assy,SO/SK	Page 4525	1
06	1863937-SP	V-belt,SK350,micro-V 4PJ762	Up to 350000000-886049	1
06	1864239-SP	V-belt,shakemotor, micro-V 4PJ790	From 350000000-886050	1
08	1862880-SP	Motor,assy,shake,400W,SO/SK	Up to 350000000-886049	1
08	1864240-SP	Motor,shake,Wonder,0.75kw	From 350000000-886050	1
10	1814193-SP	Pully 80 mm, SK350	Up to 350000000-886049	1
10	1864230-SP	Pulley, motor Size 80, D82,	From 350000000-886050	1
13	1864139-SP	Super-strut-assy,SK350/450/550		4

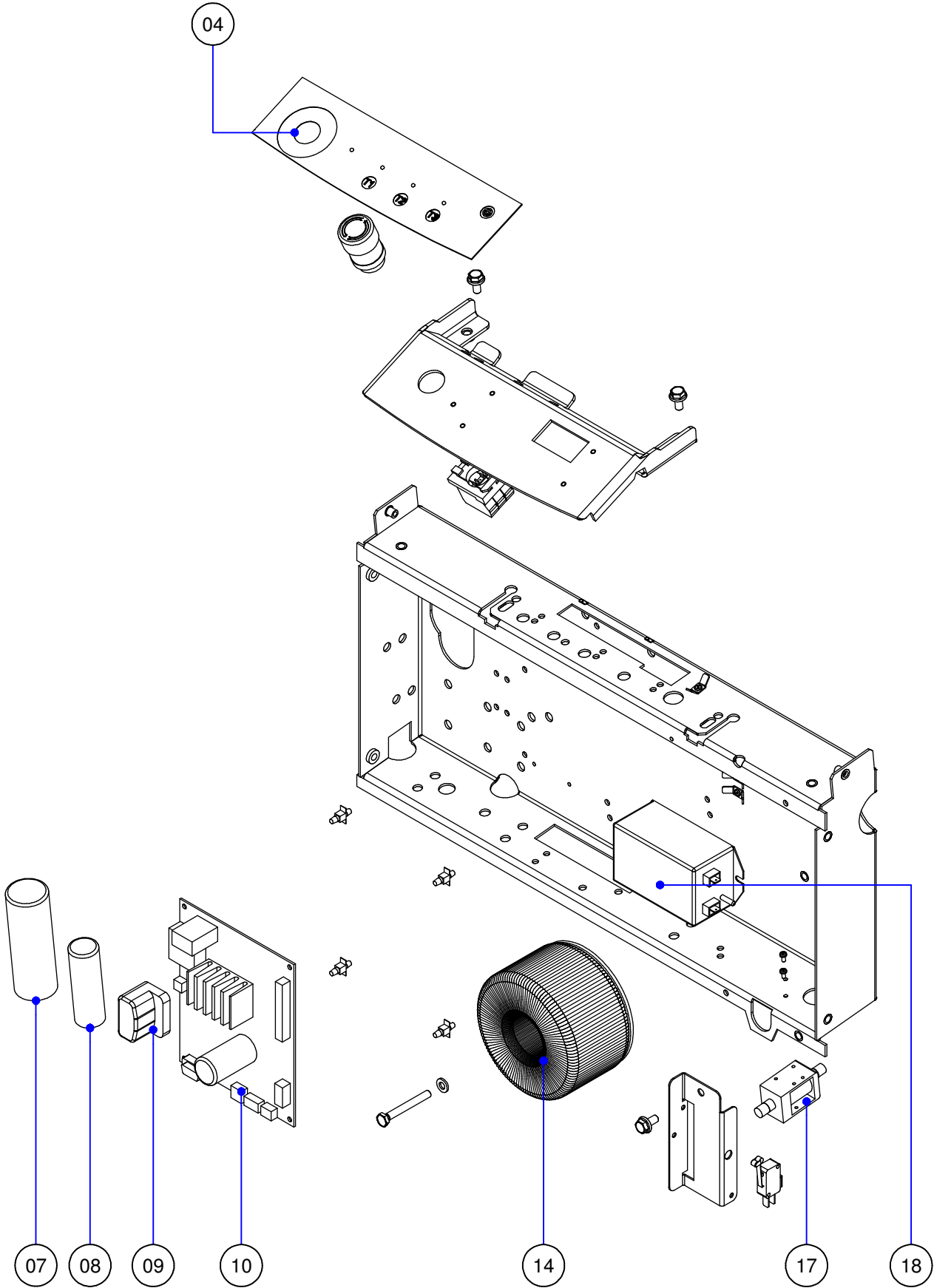


Spare Parts List				
ITEM	PART NUMBER	DESCRIPTION	REMARKS	QTY
02	1863357-SP	Clampingmotor,SK350		1
09	1810315-SP	Plate,motor,clamp,SO/SK		1
10	1862173-SP	V-belt,clamp,SO/SK		1
18	1815253-SP	Top plate with rubber		1
31	1602121-SP	Bearing,UCF 204 D1		2
37	1864220-SP	Coupling,buffer set SK3/4/550		1
	5109020-SP	Disc,foam,set(f170mm)	pos.35,36	1
	1810488-SP	Leafspring,set,SO/SK	pos.4,5,6	1
	1815253-SP	Top plate with rubber	pos.17,18	1
	1809654-SP	Bearing,set,2pcs,S0/Sk	pos.31,32,33	1
	1809679-SP	Spindle+nut,So-400 (2pcs)	pos.24,25	1
	1862506-SP	Spindle,assy,SO/SK (2pcs)	pos.20,21,22,23,24,25,26, 27,31,32,33	1
	1862580-SP	Bearing,UCF+bolt's,set2pcs.	pos.27,30	1



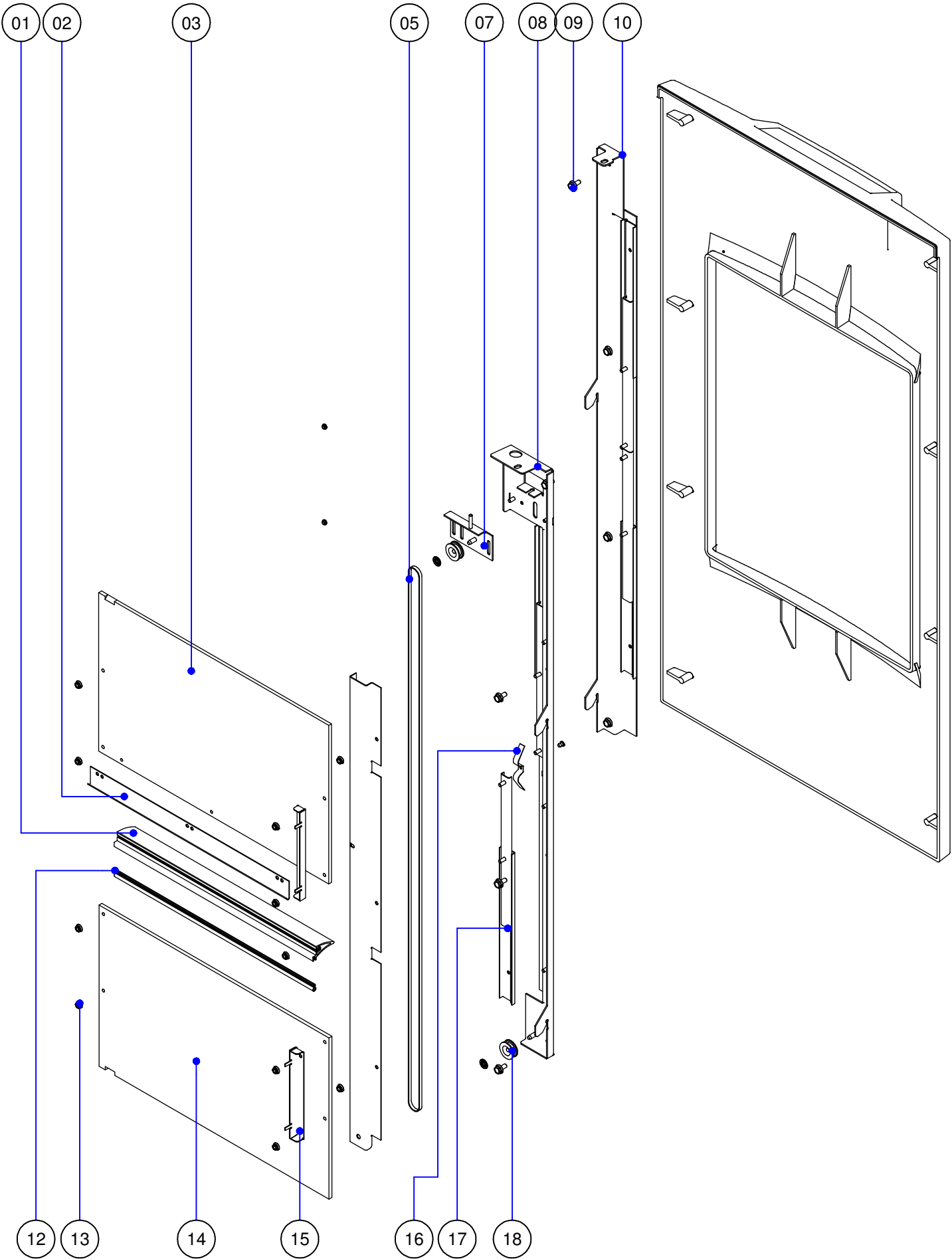
Spare Parts List

ITEM	PART NUMBER	DESCRIPTION	REMARKS	QTY
09	1602557-SP	Bearing,PASEY30,set,2pcs		2



Spare Parts List

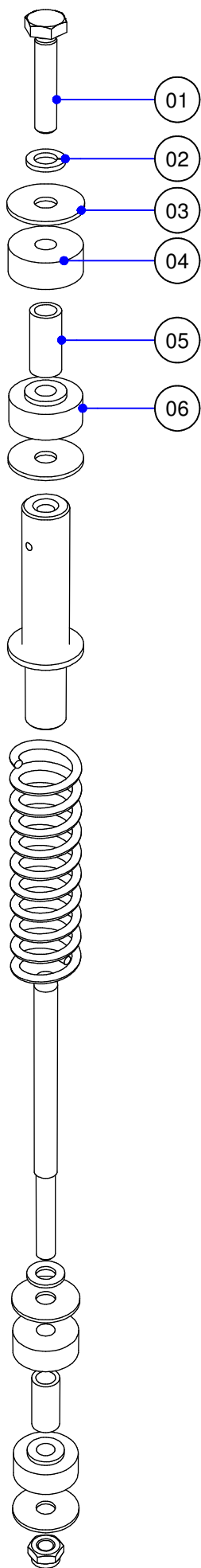
ITEM	PART NUMBER	DESCRIPTION	REMARKS	QTY
	1864128-SP	Cable,set SK350		1
04	1864116-SP	Foil,Keyboard,SK350ph2		1
07	1863485-sp	Running Capacitor Wonder Motor	From 350000000-886050	1
07	1863008-SP	Capacitor,50muF,400W,motor	Up to 350000000-886049	1
08	1863493-sp	Starting Capacitor For Wonder	From 350000000-886050	1
08	1863007-SP	Capacitor,10muF,400W	Up to 350000000-886049	1
09	1863009-SP	Relais,2CR3-92,400W,motor	Up to 350000000-886049	1
10	1814370-SP	Powerboard,SK280/350		1
14	18664093-SP	Transfor,225VA,1x18v,SK350	pos.12,13,14	1
17	1860672-SP	Solenoid>manual punch,SO/HA		1
18	1862546-SP	filter,SO/SK,6A		1



Spare Parts List

ITEM	PART NUMBER	DESCRIPTION	REMARKS	QTY
05	1810429-SP	Belt,door,S0/SK		1
16	1811350-SP	spring,leaf,door,S0/SK		1
	1809790-SP	Door>window,assy,S0/SK	pos.1,2,3,12,13,14	1
	1809990-SP	Guiding,door,set,S0/SK	pos.5,7,8,9,10,16,17,18	1

4550



Spare Parts List

ITEM	PART NUMBER	DESCRIPTION	REMARKS	QTY
11	1864025-SP	Strut,spacer&grommet,kit(4pcs)		1