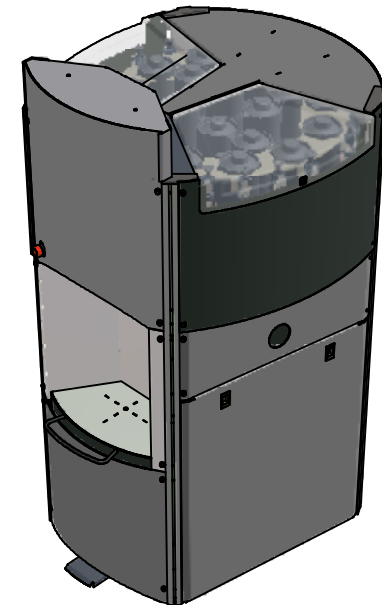
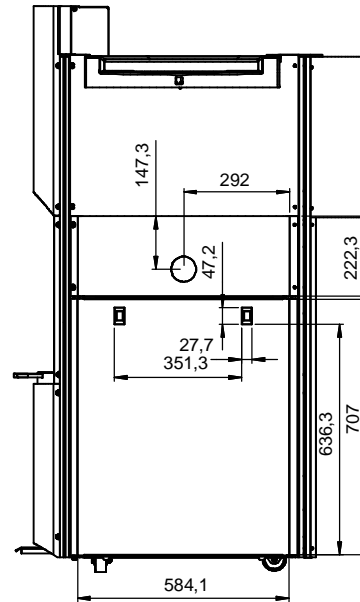
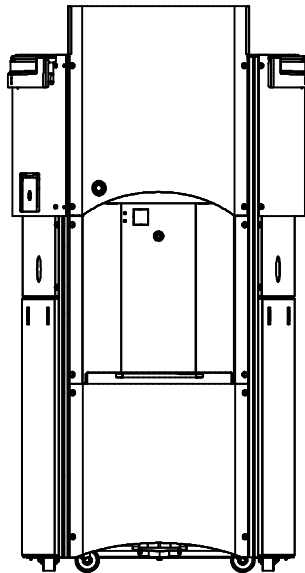
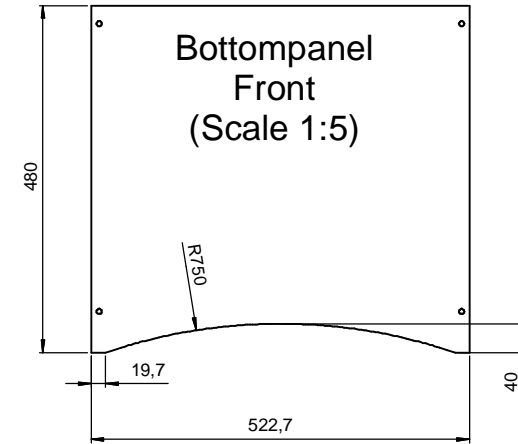
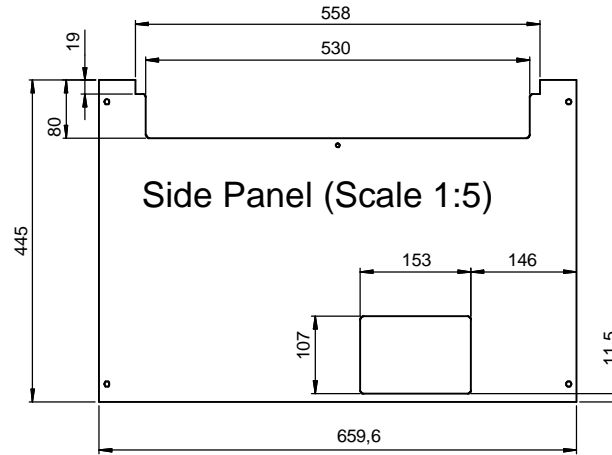
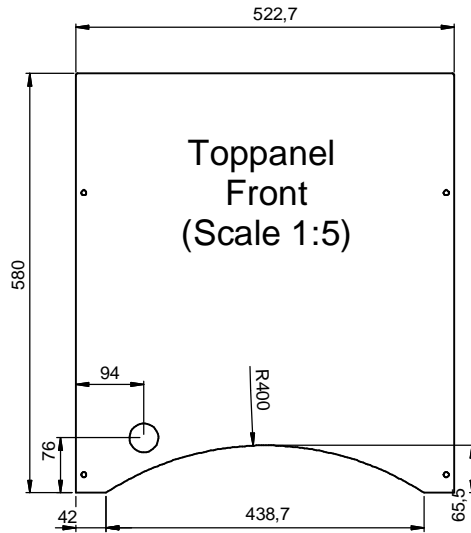


Info block (unless specified otherwise)

PDF DXF DWG
 Remove sharpe edges
 Tool :
 V - Die :
 Colour :
 End Product
 Semi Manufactured

Rev.	Description	By	Date
------	-------------	----	------



TM300 (Scale 1:10)

ALL DIMS ACC. TO NEN-ISO 2768 M UNLESS OTHERWISE SPECIFIED 0.5-6 ± 0.1 120-400 ± 0.5 SHORTEST SIDE 50-120 ± 20 6-30 ± 0.2 400-1000 ± 0.8 < 10° ± 1' 120-400 ± 10' 30-120 ± 0.3 1000-2000 ± 1.2 10-50 ± 30' > 400 ± 5'	CONFIDENTIAL PROPRIETARY MATERIAL All design, reproduction, manufacturing, sale & other rights of items shown here on or of articles fabricated therefrom are expressly reserved by FAST & FLUID MANAGEMENT		DRAWING ACCORDING TO NEN-ISO 1101 NEN-ISO 406 NEN 3634	Projection
	Size: A2 Project: TM300 Dim.: Name: General sticker sizes	Unit : mm Drawn : Material :	Date : Assembly partnr: Partnr: TM300	
FAST & FLUID MANAGEMENT THE NETHERLANDS A Unit of IDEX Corporation P.O. Box 2201 2170 AE Sassenheim Huis van Doorneweg 31 1217 KC Sassenheim Telephone +31 (0)252 240 800 Fax +31(0)252 240 8801 www.fast-fluid.com				